

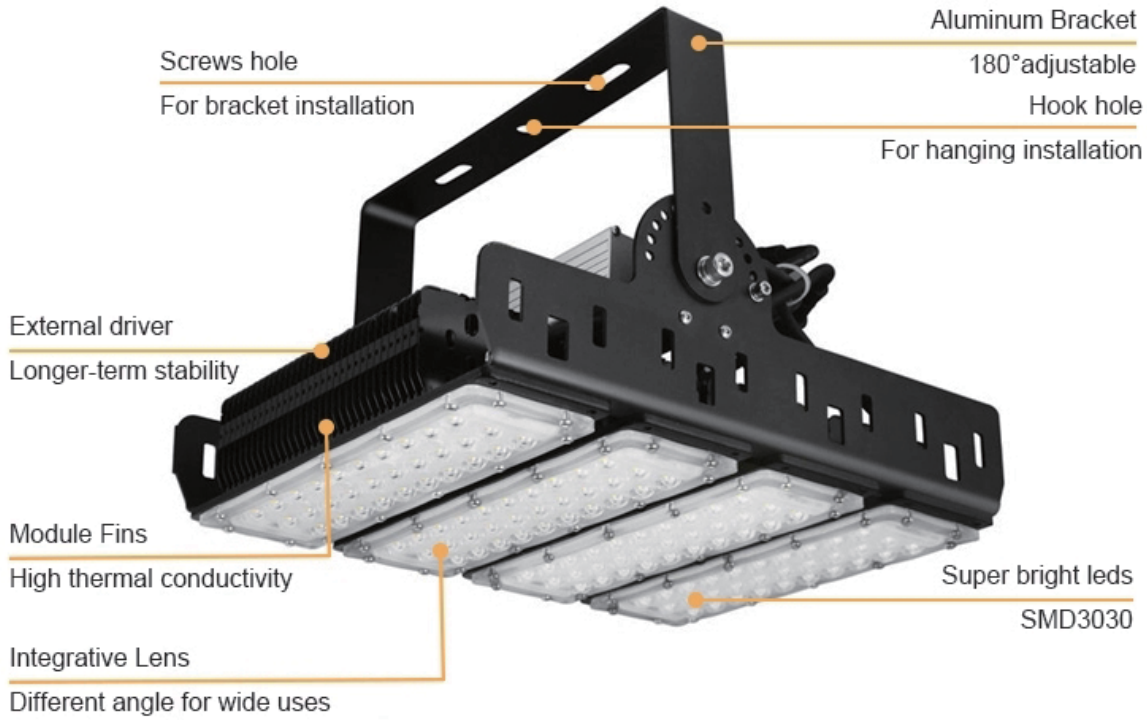




Mercury LED Tunnel Light

Mercury LED Tunnel light offers superior brightness with high quality Philips LEDs, uses high quality components with mounted Meanwell drivers and a thick robust housing, giving increased efficiency and long life. 0-10V Dimmable drivers are also available if you wish to control the lighting levels at various points of the tunnel.

Mercury LED Tunnel Light



Features:

- Modular style design, easy to assemble, replace and repair
- With Aluminum fins heatsink, increasing heat sinking area
- 1060 Aluminum with integrated stamping, high thermal conductivity
- All screw&nuts are made of #304 stainless steel, keep it stable
- Adjustable bracket with holes meet different lighting application
- Lens has high light transmittance, flame retardant, anti abrasion
- UV-proof, provide excellent light distribution
- High quality level waterproof connectors
- IP65 rating

Materials:

- Body: Aluminum
- Cover: PC

Colors:

- Black

Options:

- 1-10V
- DALI

Accessory:

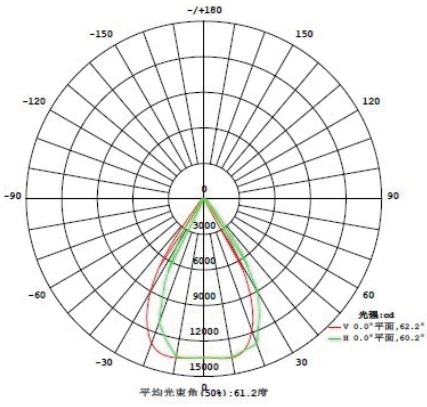
Bracket



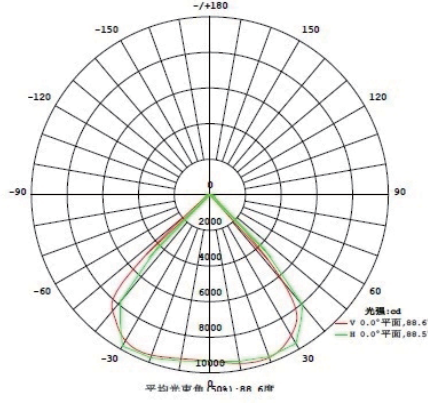
Item Code	Description							
	Power w	Voltage vac	Frequency hz	Lumen Flux lm	Color Temp k	CRI ra	Operating c°	Warranty yrs
TL-F50W	50	85-265	50/60	5500±5%	ww nw cw	80	-40 ~ +50	5
TL-F100W	100	85-265	50/60	11000±5%	ww nw cw	80	-40 ~ +50	5
TL-F200W	200	85-265	50/60	22000±5%	ww nw cw	80	-40 ~ +50	5
TL-F300W	300	85-265	50/60	33000±5%	ww nw cw	80	-40 ~ +50	5
TL-F400W	400	85-265	50/60	44000±5%	ww nw cw	80	-40 ~ +50	5
TL-F500W	500	85-265	50/60	55000±5%	ww nw cw	80	-40 ~ +50	5

Mercury LED Tunnel Light

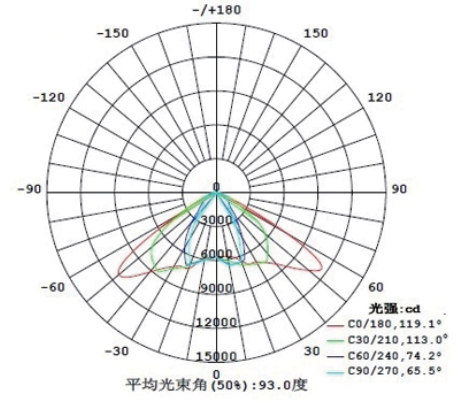
Light distributions:



60°

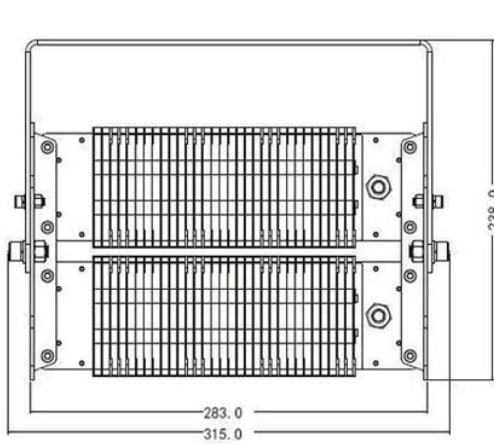


90°

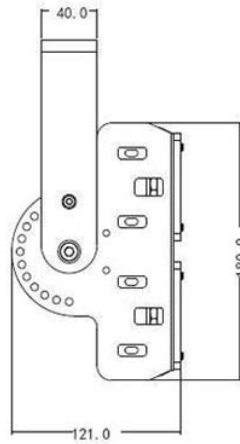


60°x150°

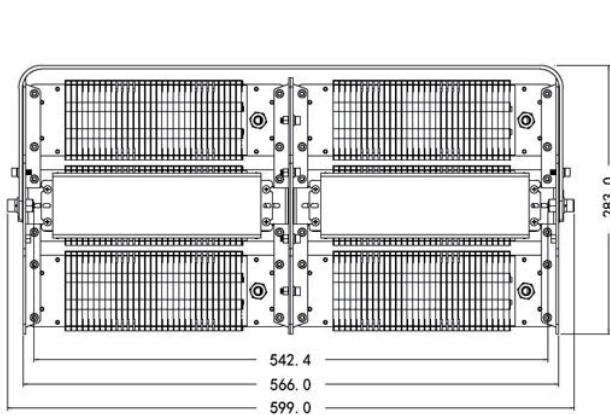
Dimensions (unit mm)



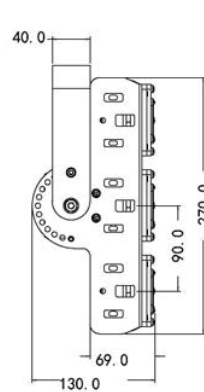
100w



200w



300w



500w

