

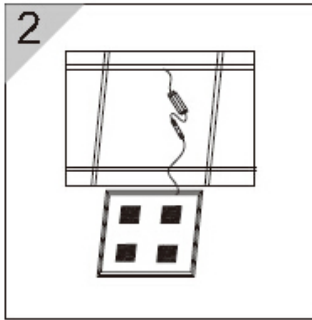
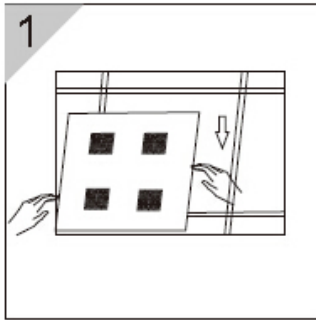
Installation

Vega LED Panel Light



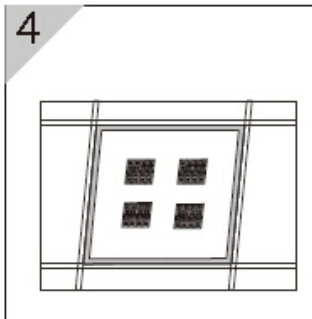
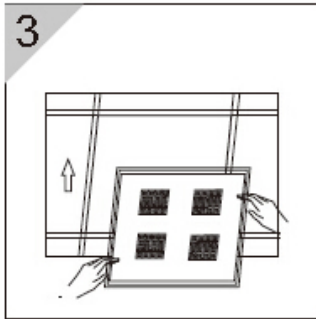
A. Built in Style

1. Take off Ceiling plaster table 2. Connect the Wire



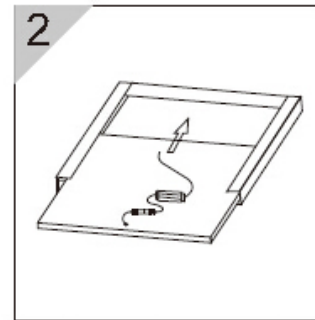
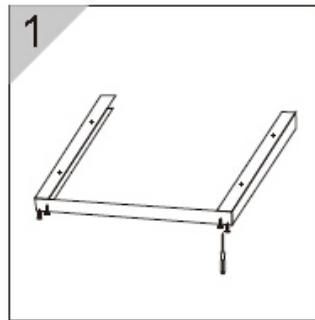
3. Fix the panel Light on into the ceiling screens

4. After steady the panel light, you can connect the electric current to use



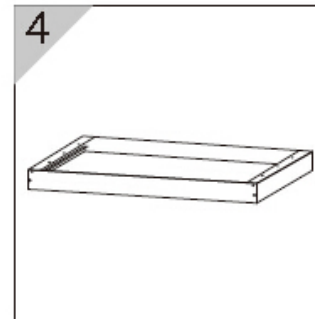
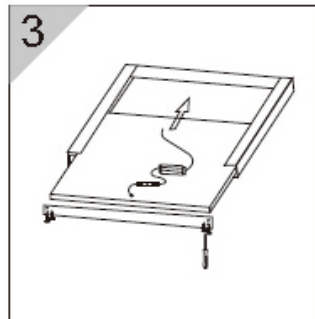
B . Ceiling style

1. Fix the ceiling frame into the ceiling or wall 2. Fix the panel light on the ceiling frame



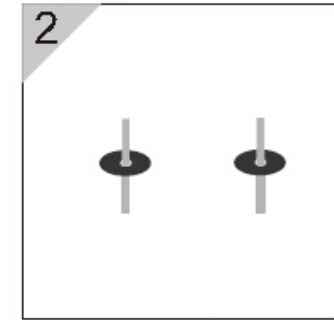
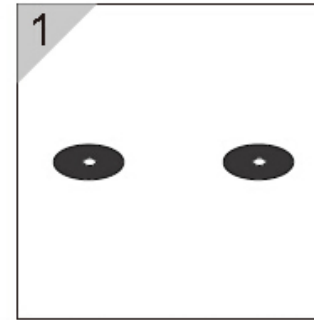
3. Connect the wire (AC/DC Wire) and put the location well

4. After steady the panel light, you can connect the electric current to use



C . Pendant style

1. Take off the cassette and install the screw cassette 2. Fix the cassette onto the ceiling



3. Lock the Line controller into the cassette

4. Adjust the length of the iron line well and the connect the power supply, then you can power

